

# Swing Door Operator

## ASSA ABLOY SW300

ASSA ABLOY

ASSA ABLOY Entrance Systems

The global leader in door opening solutions



ASSA ABLOY SW300 swing door operator is the perfect choice where reliable performance and superior safety together with an appealing slim look is of extra importance.

### Energy-efficiency

ASSA ABLOY automated door systems are sustainable by nature and automatically convenient as they ensure opening only when needed to pass, eliminating unnecessary air infiltration and keeping climate zones separate. The innovative electronics in the ASSA ABLOY SW300 ensure minimal energy consumption for optimal door performance.

### Safety

The ASSA ABLOY SW300 is safe to use for all, despite age and physical ability. In case of an obstruction by a person or object, the obstruction control ensures stop on stall and reverse operation. Furthermore, the ASSA ABLOY SW300 swing door operator is fully compliant with European standards and fire approved, making it ideal for creating and maintaining security, smoke and fire zones.

### Technical specifications

Power supply	100-240 VAC +10/-15%, 50/60 Hz, mains fuse max 10A (building installation)
Power consumption	Max. 300 W
Auxiliary voltage	24 V DC, max. 700 mA
Monitored battery backup unit	24 V DC
Electromechanical locking connection	12 V DC, max. 1200 mA or 24 V DC, max. 600 mA
Ambient temperature	-20 °C to +45 °C
Relative humidity (non condensing)	95%
Recommended max. door weight and door width Inertia $J = \text{Door Weight} \times (\text{door width})^2 / 3$ PUSH = 140 kgm <sup>2</sup> , PULL = 80 kgm <sup>2</sup>	
Class of protection IP20 - To be installed internally or externally with suitable weather protection	

ASSA ABLOY SW300 complies with

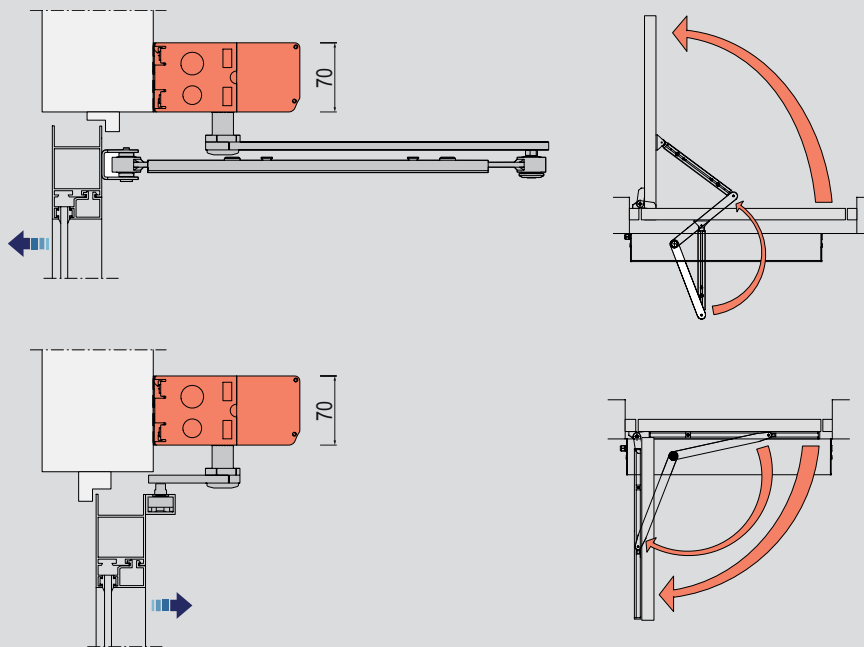
- EN 16005
- EN 60335-2-103
- IEC 60335-1
- IEC 60335-2-103
- EN 1634-1
- EN 1158 (Push 4-7, Pull 4-6)
- DIN 18263-4 (Push 4-7, Pull 4-6)
- EN 1154 (Push 4-7, Pull 4-6)
- EN 1155 (Push 4-7, Pull 4-6)

### Convenience

An entrance equipped with a ASSA ABLOY SW300 operator is always accessible due to battery back-up. The ASSA ABLOY SW300 also monitors the battery for power and function, and gives an electronic indication if it is not working properly and needs to be replaced.

The operator is truly reliable during all weather conditions as it is not affected by stack pressure and wind load when opening and/or closing. Also, for your convenience, safety and quick exit, the ASSA ABLOY SW300 can easily be manually opened, despite extended closing torque, due to sensor detection ensuring lowest manual opening force.

In addition to the standard version, there is a Double Acting (DA) function with possibility for manual opening in both directions with automatic reset.



### Security

ASSA ABLOY SW300's intelligent locking features are designed for your peace of mind. For example, double doors are precisely controlled to prevent jamming and increase security. ASSA ABLOY SW300 operator can also sense when the door has not closed completely and will prompt the door to open again and close fully, even under heavy wind load and stack pressure.

### Aesthetics

The 70 mm slim ASSA ABLOY SW300 swing door requires a minimum of space while providing maximum performance. Furthermore, the door system operates impressively silent despite its amazing capability to handle heavy doors up to 250kg. ASSA ABLOY SW300 can be retrofitted with existing doors and thereby keeping the overall door system design and environment aesthetically intact.

### Standard equipment

Cover - Silver anodized aluminium, other paint finishes optional

Dimensions:       - Length 840 mm  
                              - Height 70 mm  
                              - Depth 148 mm

Control unit CU-300 with EXU-SI and EXU-SA included  
- with possibility to connect manual and automatic activation units, position switches, el. locks, presence sensors, battery, kill, open/close etc.

Push and go

Power assist

### Accessories and Options

Programme selectors

Sync cable – Used on double doors to select the opening and closing order

Battery backup unit

Coordination unit

Manual and automatic activation units

Impulse and presence detection sensors

Fire kit

Arm systems PUSH and PULL

Finger trap protection devices

Double acting kit

This equipment should be installed, regularly inspected, maintained and serviced by trained and authorized personnel. Preventive maintenance plans are highly recommended for a proper and safe operation. Talk to your ASSA ABLOY Entrance Systems representative to learn more about our service offering!