



Besam Revolving Doors Three- and Four-Wing RD3 and RD4

Comfort, safety and economy

Besam's 3- and 4-wing compact revolving doors RD3/RD4 help to maintain a comfortable indoor climate and at the same time save energy costs. The RD3/RD4 combines the advantages of a revolving door for the internal environment with the safety and security of an automatic door, at a cost more typically associated with manual revolving doors.

The larger diameters in the RD3/RD4 range are suitable for people carrying luggage, for example, at a hotel entrance. The smaller diameters provide an entrance door suitable for moderate pedestrian traffic.

Safety the highest priority

The door range combines safety and practicality with the safety of the user as its number one priority.

To prevent injury, the drum edges

are equipped with soft safety edges.

Standard safety features

- If an obstacle prohibits the rotation of the door (the resistance is higher than the pre-set value) the rotation will cease
- Compressible vertical safety switches placed on the drum edges
- Speed control
- Emergency break-out system (optional)

Design

The RD3/RD4 can be ordered in several different configurations depending on the customer's needs. There are two options for the outer drum and three different types of door leaves to choose from, each with a different look and feel. Depending on the rail and panel options selected, the door can produce varying degrees of interior privacy.

The RD3/RD4 is available in various sizes with flexible internal height and fascia height to match any building.

All of our revolving door systems are made from Besam-designed aluminium profiles which can be anodized, powder-coated or stainless steel-clad.

The drive mechanism is fitted on a frame above the laminated ceiling. The drive shaft bearing is fixed to the finished floor. Brushes seal the door tightly.

The doors are designed to be placed and fixed directly onto the finished floor surface. No special foundations are required. For unfinished floors, a ground ring is available as an option.



Frame system



Slim system with shaft



Slim system without shaft

CDC Control system

This unique and state-of-the-art control system was developed by Besam specifically for use with its products, and the result is a fully integrated entrance solution with no compromise in design or function. The system ensures lowest operating/maintenance cost, highest safety and best availability.

During installation:

- Automatic system check up
- Fast and safe adjustments of all safety zones and speed settings
- Short installation time

During operation:

- As an option, the RD3/RD4 can be equipped with a program selector with access codes to operate the door

- If equipped with a modem or connected directly to a computer, the RD3/RD4 can be remotely operated without any special software
- Self-checking of safety systems
- Real-time clock with programmable modes/functions
- Automatic indication of service intervals
- Performance measurements
- Short stopping distances
- Light switches off automatically in locked position.

During service:

- Automatic event log showing the 600 latest events
- Automatic diagnostics
- Connected to Besam Service by phone/modem
- Easy access by program selector or std. PC terminal
- Remote fault finding
- Minimum down time

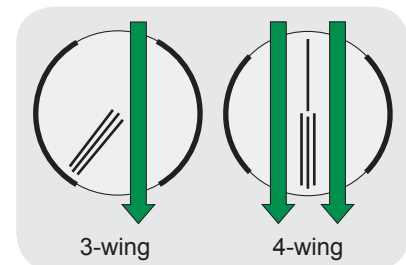
Speed control

The maximum rotation speed is factory pre-set, but can be adjusted to suit different applications. The door cannot be manually rotated faster than the pre-set limit.

Evacuation path

By adding the emergency break-out system, a clear, unimpeded evacuation path through the revolving door can be achieved. The electro-mechanical release can be integrated with a fire alarm. This release also ensures that the door leaves collapse only when required and not under wind pressure.

The break-out system can also be very useful under less dramatic circumstances, for example when bringing long objects through the entrance.



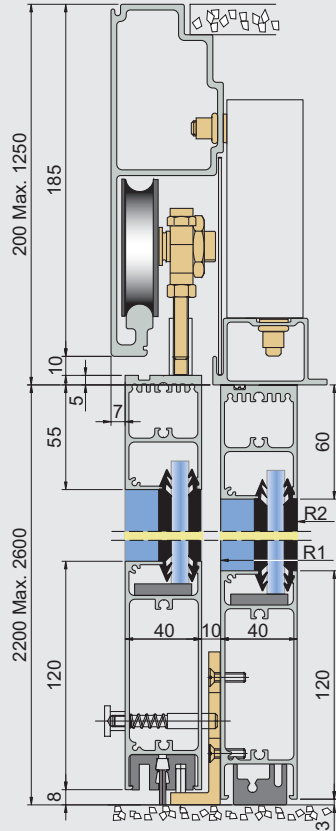
Function

- Program selector:
 - Off: Door is locked if electro-mechanical lock is fitted.
 - Auto start: The door stands still. When the door is activated by the inner or outer activation unit

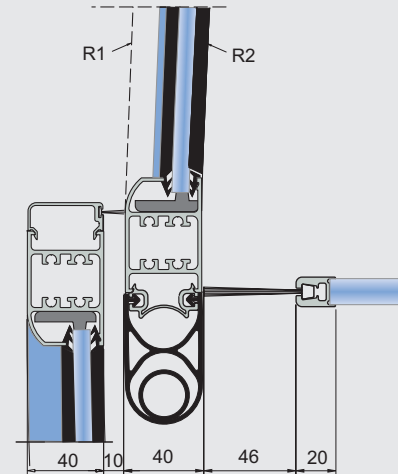
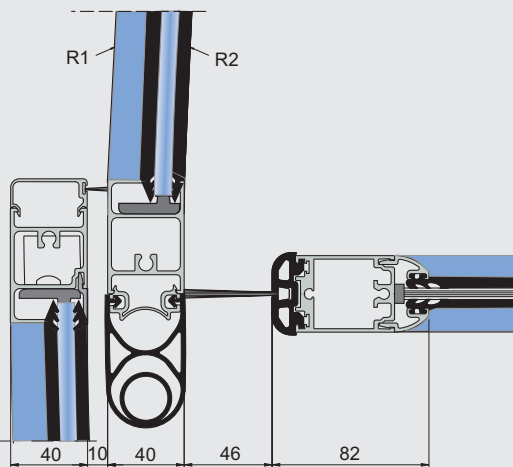
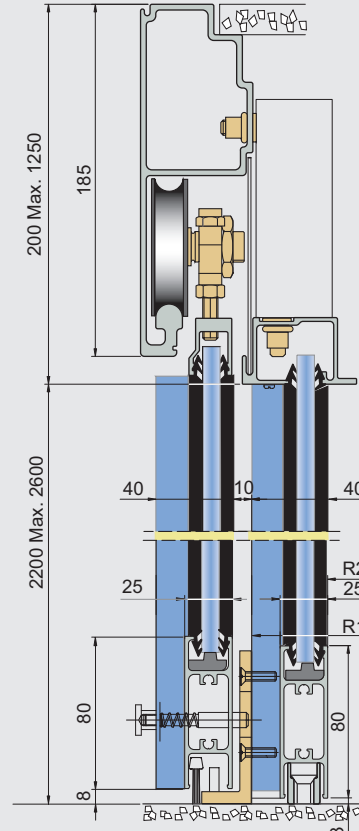
- or by pushing (Push and go), the door rotates at normal speed through three compartments and then stops.
- Continuous rotation: The door rotates at low speed. When the door is activated by the inner or

- outer activation unit, the door rotates at normal speed through three compartments and then returns to low speed.
- Normal speed adjustment: Adjustable from 1.5 to 5 rpm
- Low speed (for disabled): 1.5 rpm

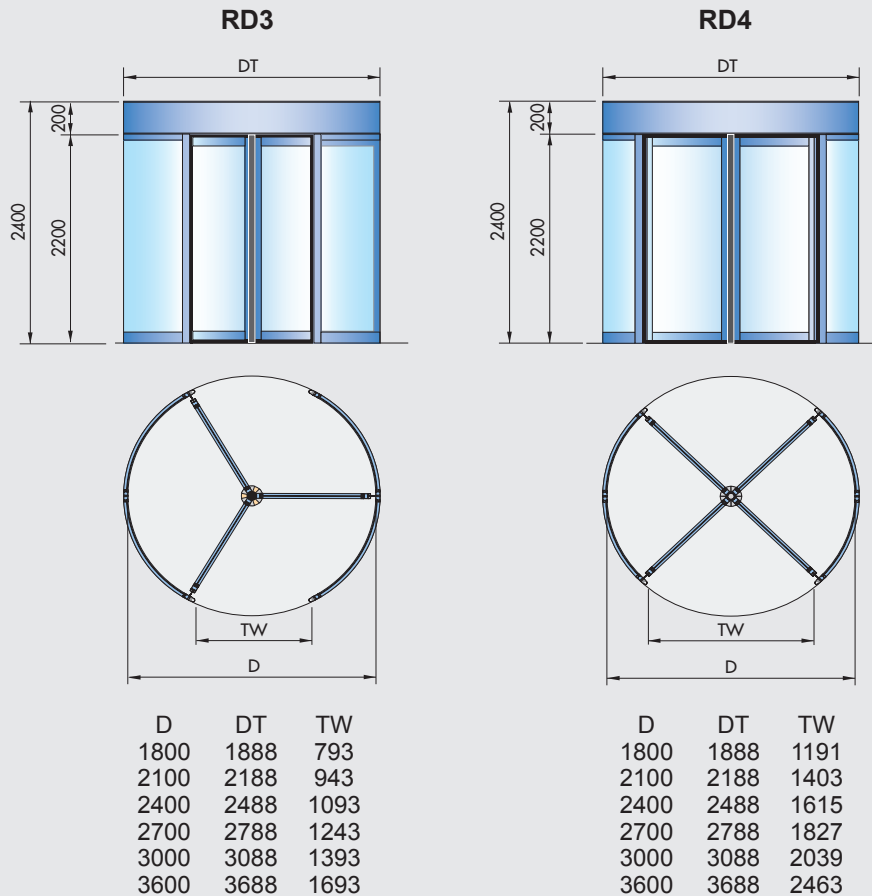
Frame system
with Night closing doors



Slim system
with Night closing doors



Frame and Slim system can be combined



Technical Data Besam RD3 and RD4

Standard equipment

- Automatic drive
- Control unit built-in behind the fascia above the inside entrance. Microprocessor controlled with plug-in modules and LED status lights
- Speed control
- Vertical safety switches
- Glass wall:
 - 4 + 4 mm clear laminated (Frame/Slim)
- Glass door leaves:
 - 3 + 3 mm laminated (Frame)
 - 6 + 6 mm laminated and tempered (Slim)
- Other types of glass available
- Door sections made from aluminium profiles
- Ceiling made from white laminated panels

- Dust protection roof made from white laminated panels
- Emergency stop

Accessories and Options

- Besam activators
- Powder-coated finish (RAL colours)
- Anodizing, clear or bronze
- Stainless steel cladding
- Electromechanical lock
- Night closing doors (NCD), manual or automatic
- Mechanical lock on NCD
- Fascia, non-standard height (200 - 1250 mm)
- Internal height non-standard (2100 - 2600 mm)
- Sheet metal sandwich panel or fully-clad instead of glass (Frame only)

- Access control program device
- Modem for remote operation
- Ground ring for unfinished floor
- Disabled push button
- Various options for ceiling surface
- Spotlights/Downlights
- Water-resistant cover
- Rotation brake
- Emergency break-away system
- Midrails on door leaves and/or outer walls
- Additional safety on rotating part

Technical specifications

- Power supply: 100 - 240 V, 50 - 60 Hz
- Power consumption: 400 W
- Lighting: 12 V, 120 W
- Mains fuse: 10 A

For access control doors, please see separate data sheet on RD3A1, RD4A1 and RD4A2.

Besam Export AB, Box 669, SE-261 25 Landskrona, Sweden
 Tel: +46 418 514 00 Fax: +46 418 513 55
 export@besam.se • www.besam.com